

# Proximity Magnetic Sensors Cylindrical Housing FMMP Series



- Cylindrical plastic housing
- Ø 6 diameter
- NO output functions
- High sensitive contact
- 60 mm twin-lead cable output connection

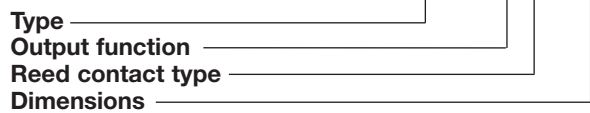
## Product Description

The FMMPA7 series is characterized by a cylindrical plastic housing with a 6 mm diameter. The switch contact is NO (Normally Open) and has very high sensibility with very

low hysteresis. The output connection is made in 3 different length: 25, 33 or 38 mm twin-lead cable.

## Ordering Key

**FMMP A 7 L25**



## Type Selection

Housing diameter	Connection	Output function	Reference
Ø 6	Twin-lead cable	NO	<b>FMMP A 7 L25</b>
Ø 6	Twin-lead cable	NO	<b>FMMP A 7 L33</b>
Ø 6	Twin-lead cable	NO	<b>FMMP A 7 L38</b>

Diameters are specified in millimeters (mm)

## Output Specifications

<b>Output</b> FMMP Series	NO
<b>Contact ratings</b> Max Switching Voltage FMMP Series	100 VAC
Max Switching Current FMMP Series	0.4 A
Max Switching Power FMMP Series	12 VA
Max Carry Current FMMP Series	1 A

## General Specifications

<b>Operating distance</b> FMMP Series	See Operating Distance table
<b>Suitable magnetic unit</b> FMMP Series	See Operating Distance table
<b>Ambient temperature</b> Operating	-20 to +75 °C
<b>Environment</b> Degree of protection	IP 67
<b>Housing</b> Diameter FMMP Series	Ø 6 mm
Material FMMP Series	Plastic
<b>CE-marking</b>	Yes

## Operating Distance

### Magnetic Units

### NeFeB magnet\*

FMMP Series

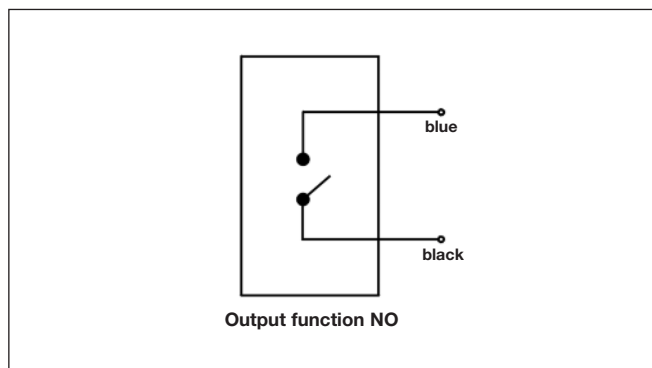
>8

Distances are specified in millimeters (mm)

xx/xx: operating distance (for all Output functions).

\* the distances are measured at room temperature of 25°C with cylindrical 5x8 mm NeFeB magnet.

## Wiring Diagrams



## Dimensions

